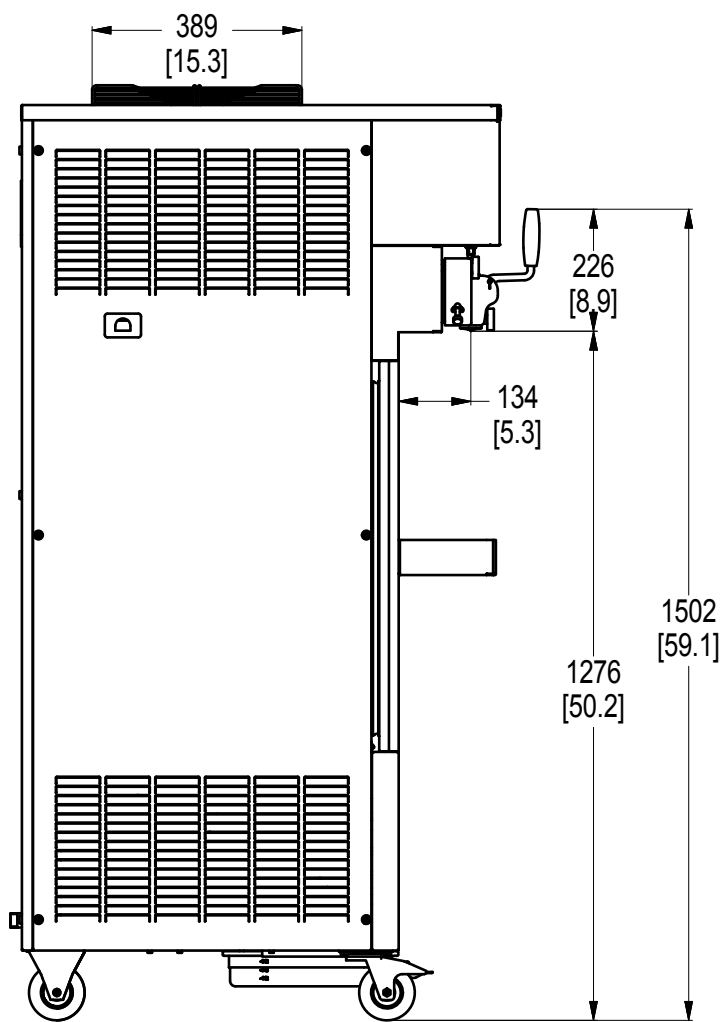
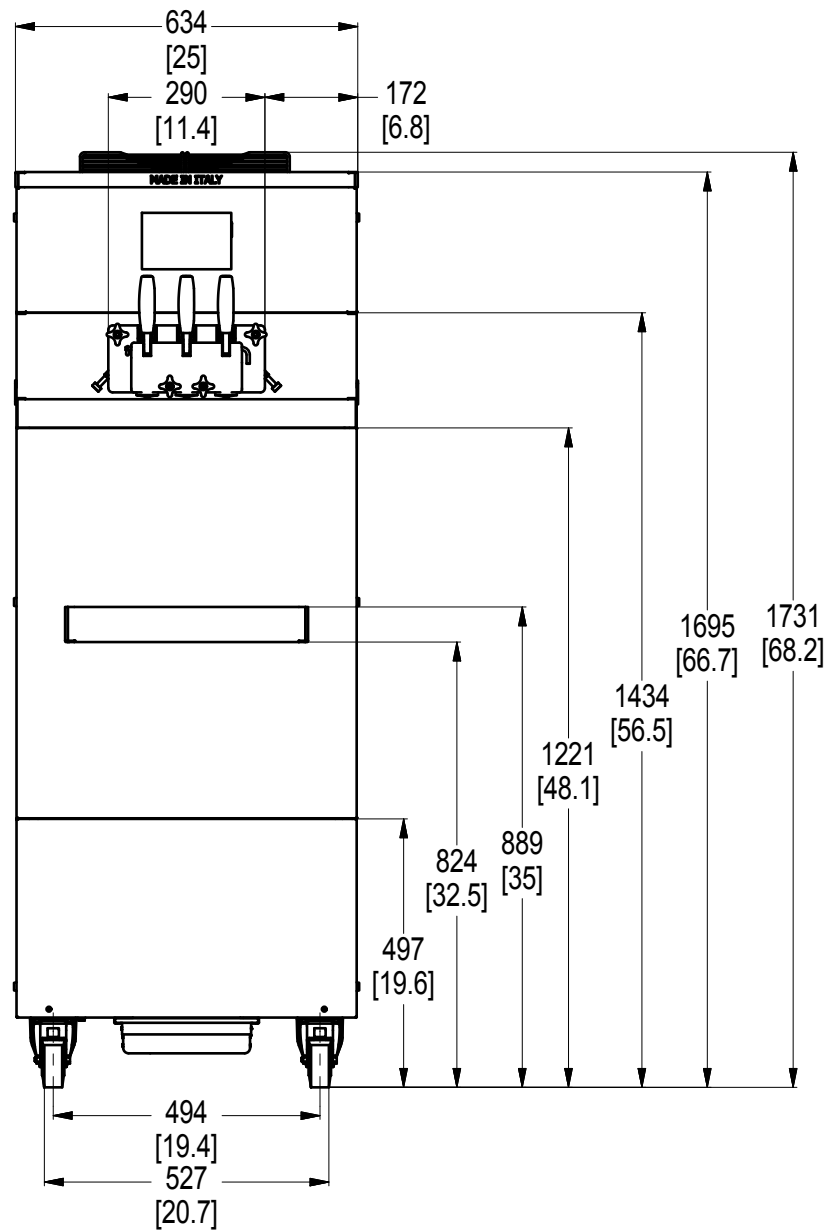
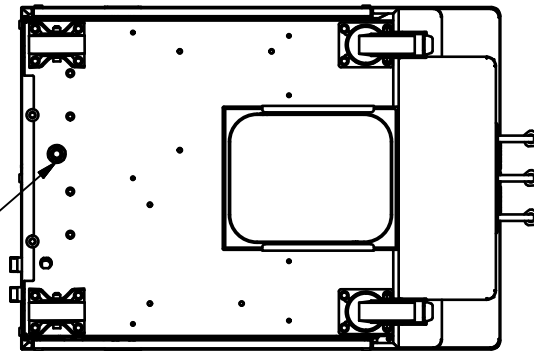
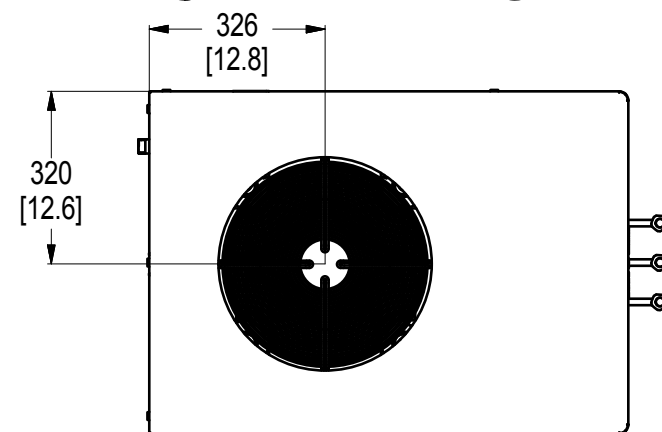
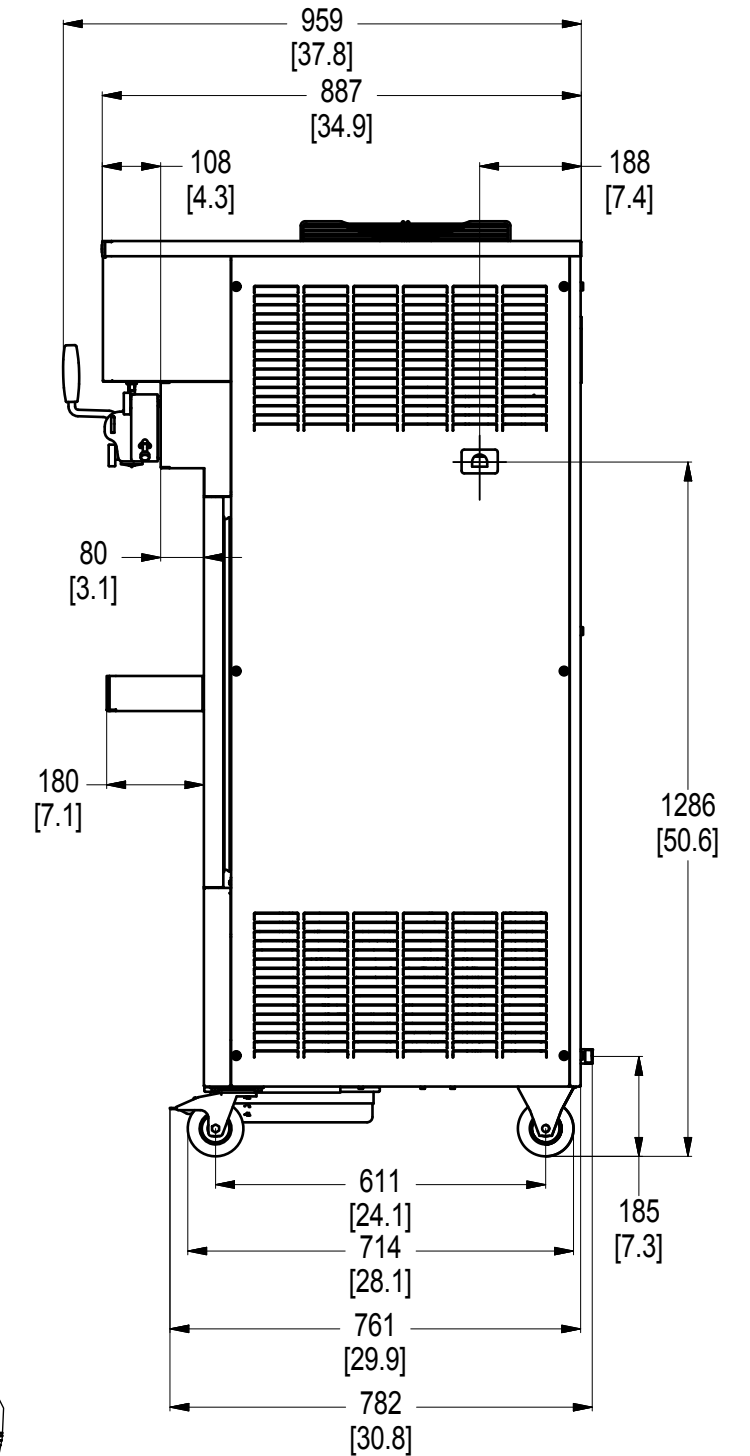
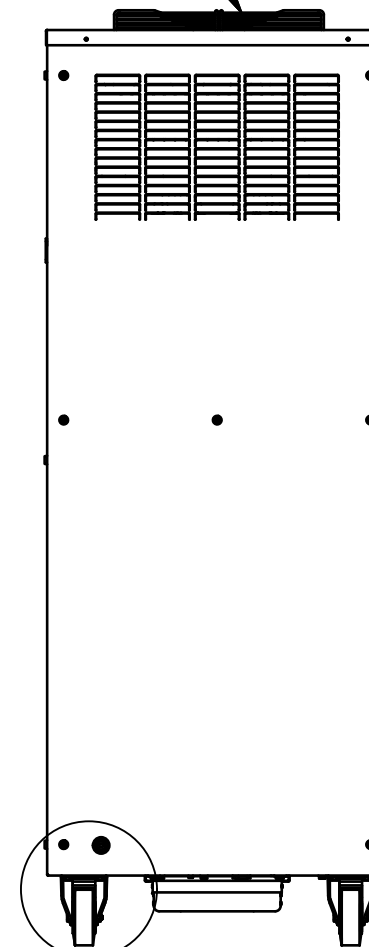


ELECTRICAL HOLE



STANDARD AIR OUTPUT



WATER INLET FOR CLEANING

